

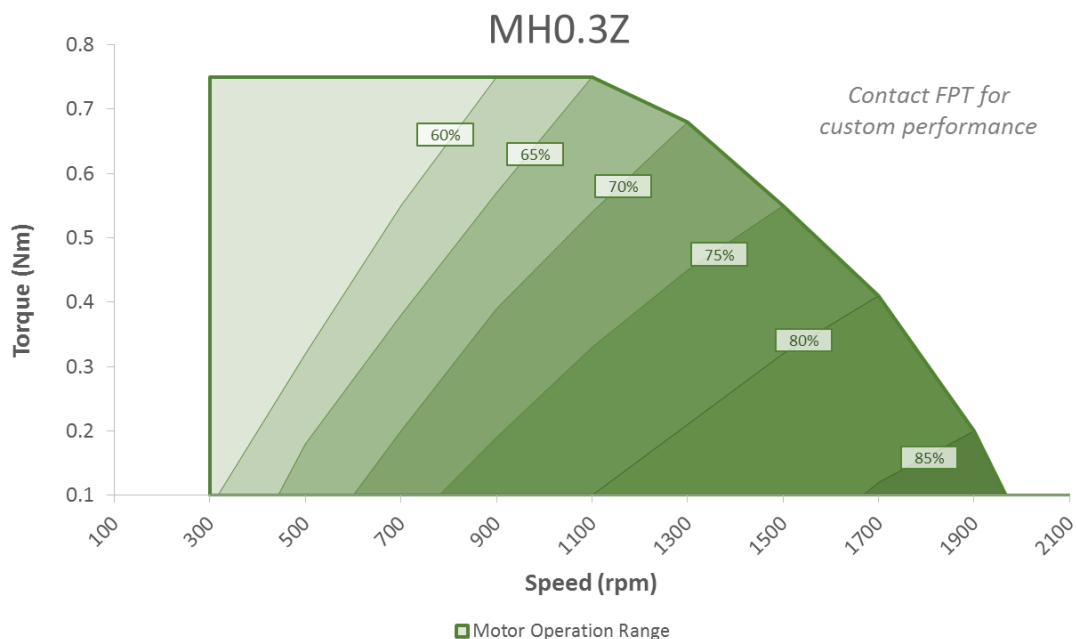
## Air Moving Motor Specification

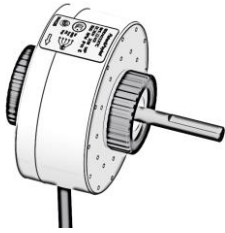
Motor Model Number  
**MH0.3Z**

PARAMETER	VALUE	COMMENT
<b>GENERAL</b>		
Motor type	3-phase brushless permanent-magnet	12 stator poles, 14 rotor poles
Motor Drive	MH0.3Z CS MH0.3Z CM	Vector sensor-less Sinusoidal Drive Hall Sensor 6-Step Drive
Ambient temperature	Operating temp: -0°C to +40°C Storage temp: -20°C to +65°C	<95% RH
Ingress Protection	IP41	IEC 60509
Total motor mass	0.75 kg	
<b>MOTOR DRIVER OPERATION</b>		
High Voltage DC Supply	240 V <sub>DC</sub> – 420 V <sub>DC</sub>	170 – 240 V <sub>DC</sub> motor can operate with performance limitations
Low Voltage DC Supply	13.5 V <sub>DC</sub> – 16.5 V <sub>DC</sub>	V <sub>PP</sub> 18 V <sub>DC</sub>
Speed Input Signal	1.86 V <sub>DC</sub> – 4.7 V <sub>DC</sub>	230 rpm – 1700 rpm
Speed Output Signal	4 pulses per revolution	Open-collector output waveform
<b>INDICATIVE PERFORMANCE * / ** AT NOMINAL 310V<sub>HVDC</sub></b>		
Maximum Speed	2000 rpm	**
Maximum Output	850 rpm 1300 rpm	0.75 Nm, 67 W 0.68 Nm, 93 W
Efficiency at 900 rpm	70%	* at 0.4 Nm torque
Efficiency at 1500 rpm	80%	* at 0.3 Nm torque

\* Reference values at 22 °C. Values may vary under different tests conditions.

\*\* Different performance levels might be achieved through motor customization to other applications.

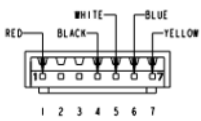




## Air Moving Motor Specification

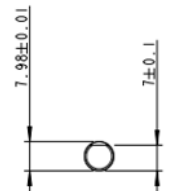
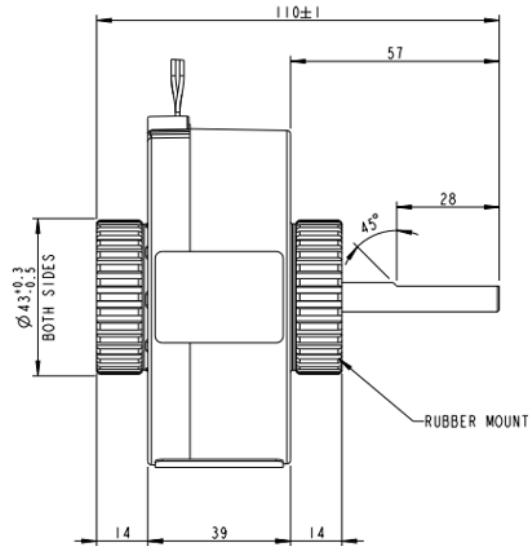
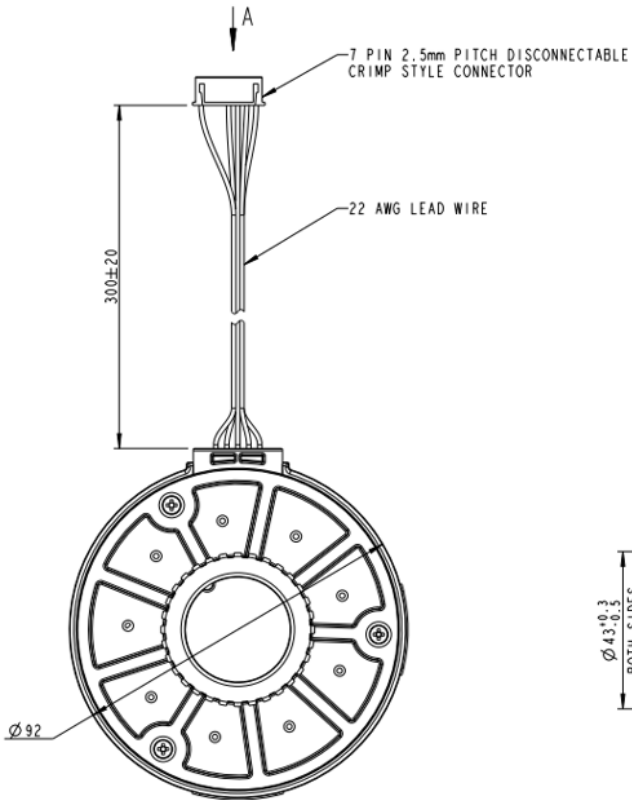
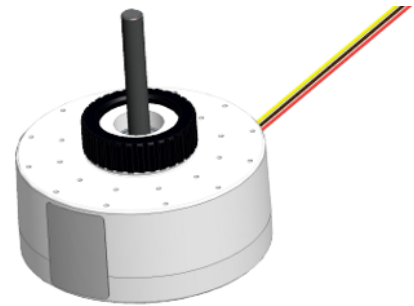
Motor Model Number  
**MH0.3Z**

### OVERALL DIMENSIONS \*\*\*



CONNECTOR DESIGNATION (VIEWED FROM ARROW A)

PIN No.	1	2	3	4	5	6	7
LEAD WIRE COLOUR	RED	-	-	BLACK	WHITE	BLUE	YELLOW
TERMINAL FUNCTION	HVDC	-	-	GND	Vcc	Spd Out	Spd In



\*\*\* All dimensions in mm