

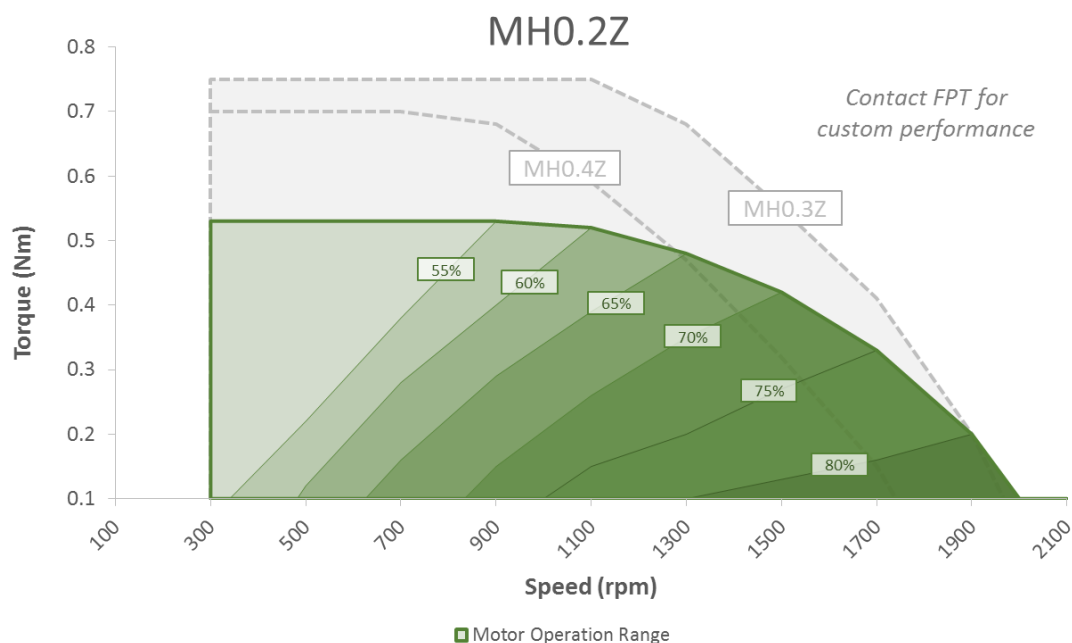
Air Moving Motor Specification

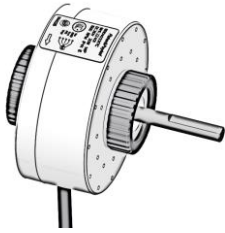
Motor Model Number
MH0.2Z

PARAMETER	VALUE	COMMENT
GENERAL		
Motor type	3-phase brushless permanent-magnet	12 stator poles, 14 rotor poles
Motor Drive	MH0.2Z CS MH0.2Z CM	Vector sensor-less Sinusoidal Drive Hall Sensor 6-Step Drive
Ambient temperature	Operating temp: -0°C to +40°C Storage temp: -20°C to +65°C	<95% RH
Ingress Protection	IP41	IEC 60509
Total motor mass	0.69 kg	
MOTOR DRIVER OPERATION		
High Voltage DC Supply	240 V _{DC} – 420 V _{DC}	170 – 240 V _{DC} motor can operate with performance limitations
Low Voltage DC Supply	13.5 V _{DC} – 16.5 V _{DC}	V _{PP} 18 V _{DC}
Speed Input Signal	1.86 V _{DC} – 4.7 V _{DC}	230 rpm – 1700 rpm
Speed Output Signal	4 pulses per revolution	Open-collector output waveform
INDICATIVE PERFORMANCE * / ** AT NOMINAL 310V_{HVDC}		
Maximum Speed	2100 rpm	**
Maximum Output	850 rpm 0.53 Nm, 47 W 1500 rpm 0.42 Nm, 66 W	* *
Efficiency at 900 rpm	60%	* at 0.4 Nm torque
Efficiency at 1500 rpm	75%	* at 0.3 Nm torque

* Reference values at 22 °C. Values may vary under different tests conditions.

** Different performance levels might be achieved through motor customization to other applications.

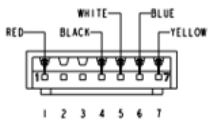




Air Moving Motor Specification

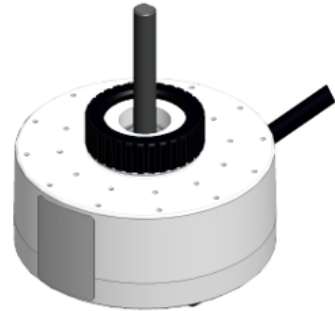
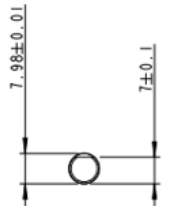
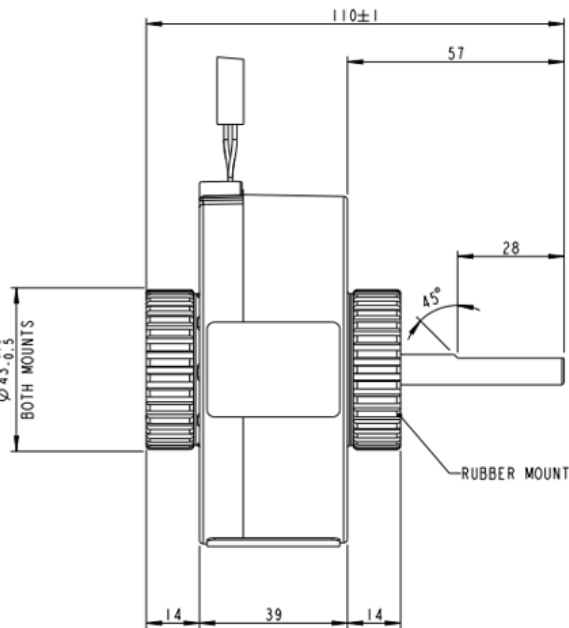
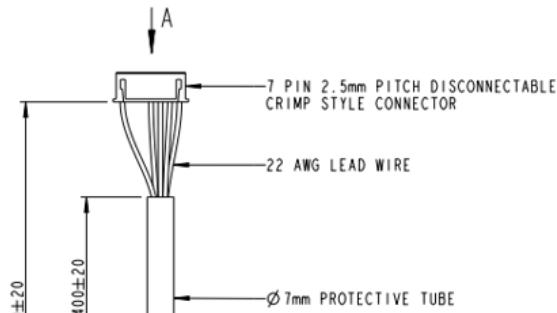
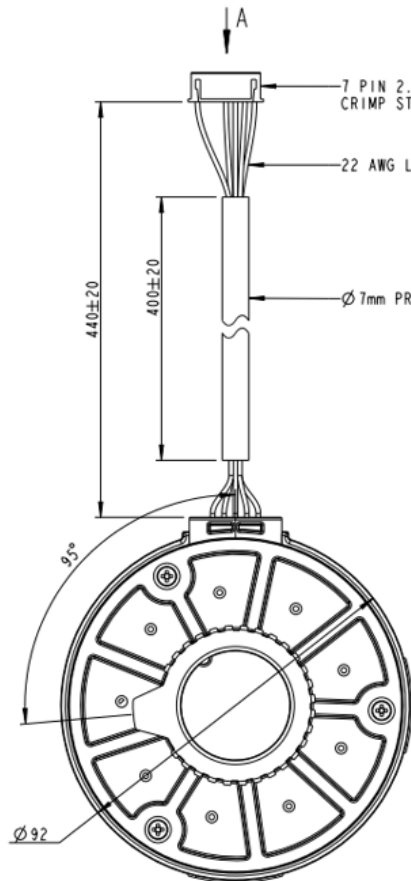
Motor Model Number
MH0.2Z

OVERALL DIMENSIONS ***



CONNECTOR DESIGNATION (VIEWED FROM ARROW A)

PIN No.	1	2	3	4	5	6	7
LEAD WIRE COLOUR	RED	-	-	BLACK	WHITE	BLUE	YELLOW
TERMINAL FUNCTION	HVDC	-	-	GND	Vcc	Spd Out	Spd In



*** All dimensions in mm