

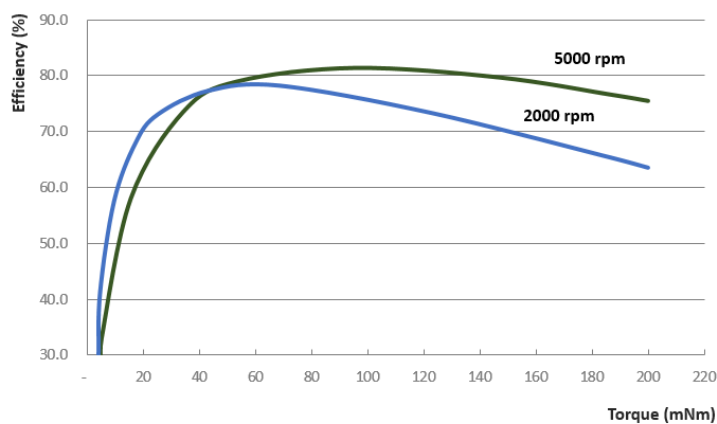
Dishwasher pump

Motor Model Number
ME01P

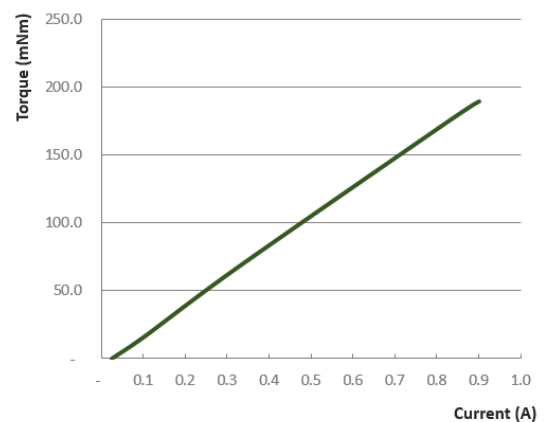
PARAMETER	NOMINAL VALUE	COMMENT
GENERAL		
Type	3-phase brushless permanent-magnet Inner rotor	6 stator poles / 4 rotor poles Sinusoidal Back-EMF wave shape Copper wire & Ferrite magnet
Rotor position sensor (RPS – optional)	N/A	Vector sensorless control
Total mass	563 g	
MOTOR FUNDAMENTALS		
K_e - BEMF constant	0.08 V/rad.s-1	Line to neutral, RMS Voltage
K_t – Torque constant	0.21 Nm/A	
K_m - Motor constant	0.03 Nm / $\sqrt{\text{Watt}}$	
INDICATIVE PERFORMANCE * / ** AT NOMINAL 230V_{RMS}		
Speed – maximum	5000 rpm	*
Torque – maximum	188mNm	*
Power output – at 5000 rpm	100 W	* at 188 mNm torque
Efficiency - at 5000 rpm	76%	* at 188 mNm torque

* Reference values using Fisher & Paykel motor control at 22 °C. Values may vary using different control board and different tests conditions

Torque - Efficiency curve



Current - Torque curve

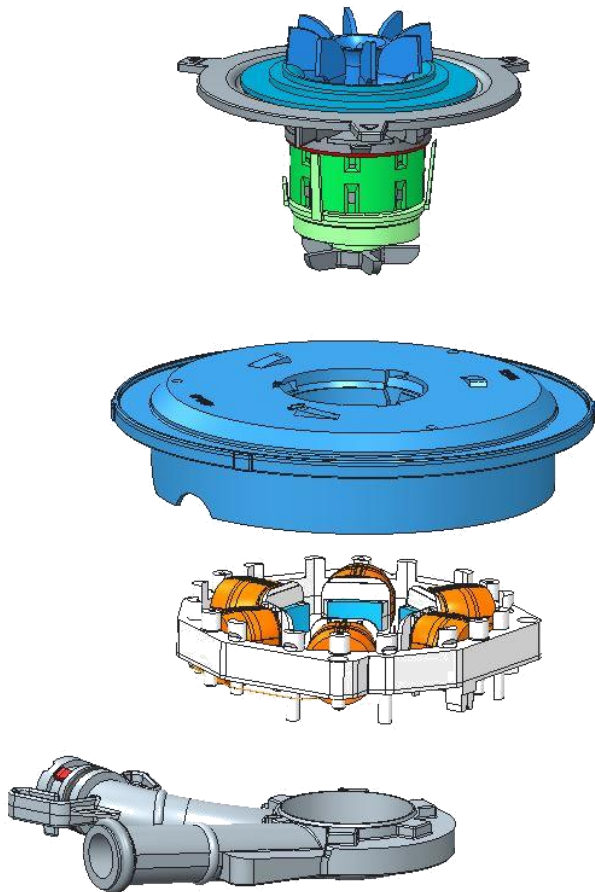


Dishwasher pump

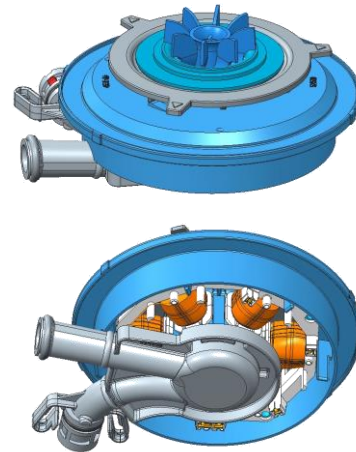
Motor Model Number
ME01P

OVERALL DIMENSIONS

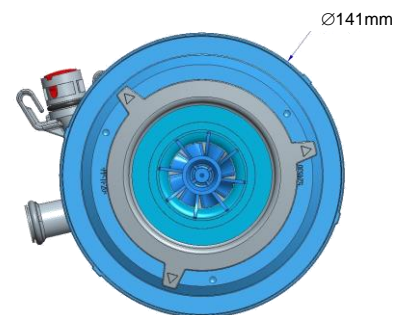
Exploded view



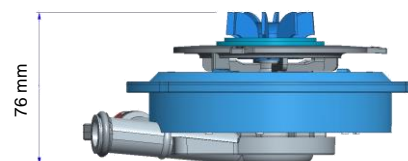
Assembled view



Top view



Front view



* Colors different from actual product