

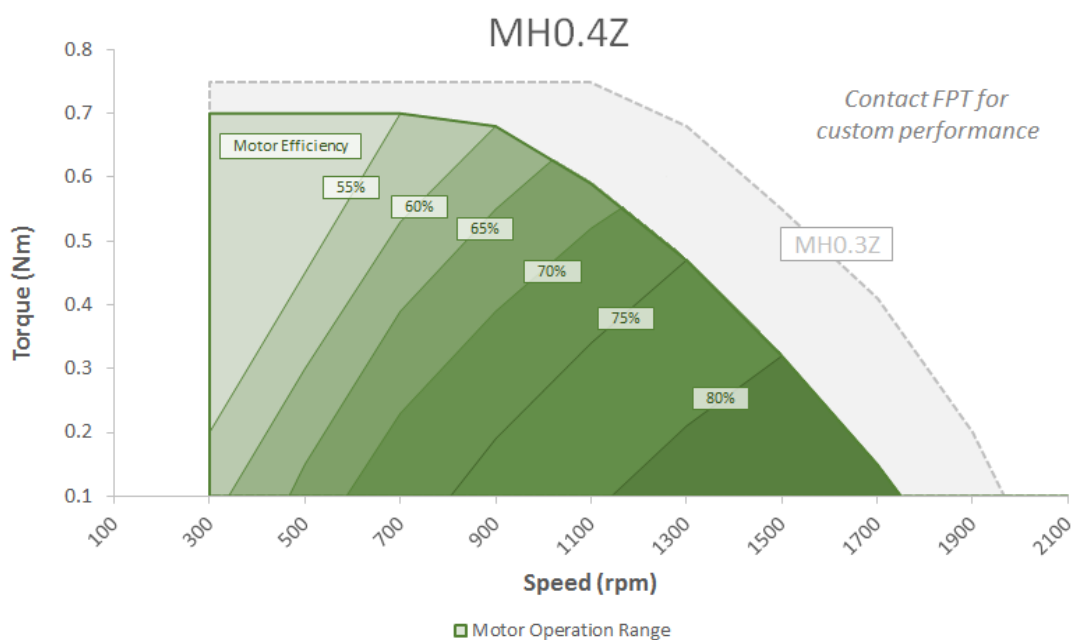
Air Moving Motor Specification

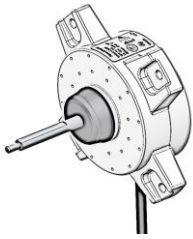
Motor Model Number
MH0.4Z

PARAMETER	VALUE	COMMENT
GENERAL		
Motor type	3-phase brushless permanent-magnet	12 stator poles, 14 rotor poles
Motor Drive	MH0.4Z CS MH0.4Z CM	Vector sensor-less Sinusoidal Drive Hall Sensor 6-Step Drive
Ambient temperature	Operating temp: -20°C to +60°C Storage temp: -20°C to +65°C	<95% RH
Ingress Protection	IP44	IEC 60509
Total motor mass	0.85 kg	
MOTOR DRIVER OPERATION		
High Voltage DC Supply	240 V _{DC} – 420 V _{DC}	170 – 240 V _{DC} motor can operate with performance limitations
Low Voltage DC Supply	13.5 V _{DC} – 16.5 V _{DC}	V _{PP} 18 V _{DC}
Speed Input Signal	2.06 V _{DC} – 4.32 V _{DC}	150 rpm – 1100 rpm
Speed Output Signal	12 pulses per revolution	Open-collector output waveform
INDICATIVE PERFORMANCE * / ** AT NOMINAL 310V_{HVDC}		
Speed – maximum	1900 rpm	**
Maximum Output	850 rpm	0.70 Nm, 62 W
	1100 rpm	0.59 Nm, 68 W
Efficiency at 900 rpm	70%	* at 0.4 Nm torque
Efficiency at 1500 rpm	80%	* at 0.3 Nm torque

* Reference values at 22 °C. Values may vary under different tests conditions.

** Different performance levels might be achieved through motor customization to other applications.

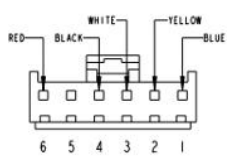




Air Moving Motor Specification

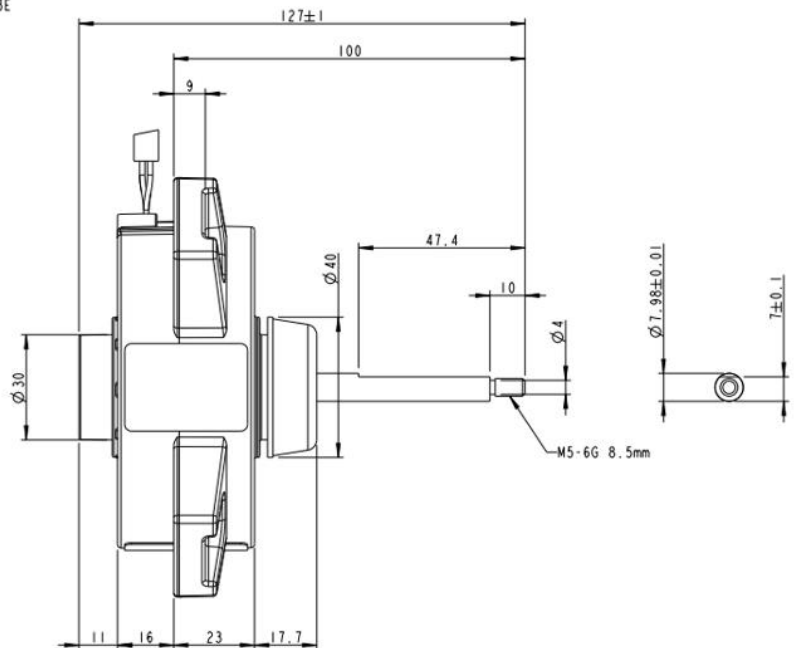
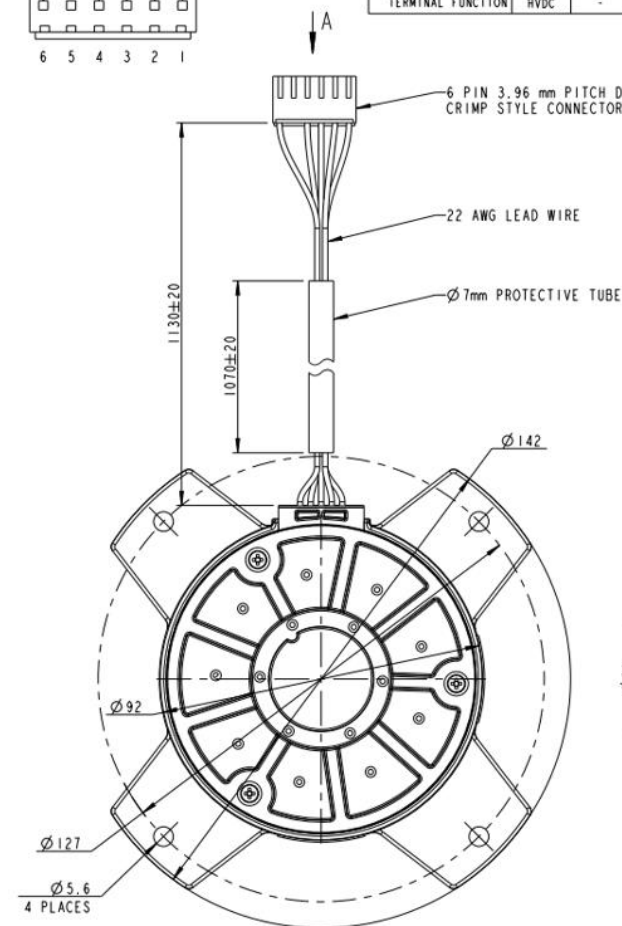
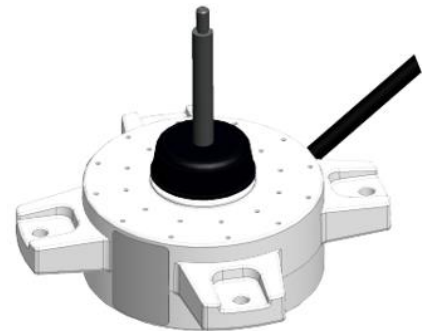
Motor Model Number
MH0.4Z CS

OVERALL DIMENSIONS ***



CONNECTOR DESIGNATION (VIEWED FROM ARROW A)

PIN No.	6	5	4	3	2	1
LEAD WIRE COLOUR	RED	-	BLACK	WHITE	YELLOW	BLUE
TERMINAL FUNCTION	HVDC	-	GND	Vcc	Spd In	Spd Out



*** All dimensions in mm